

EK60

HYDRAULIC PILING RIG





GEAX EK60 NO COMPROMISE

HIGH PRODUCTIVITY

Thanks to an efficiently engineered hydraulics with high quality components and a powerful last generation engine, the EK60 offers superior performance relative to the size, while keeping very low running costs.

UNIQUE ARCHITECTURE

Like all Geax machines, the EK60 has a long supporting boom and a sliding mast. This allows a great variety of tool positioning for drilling like: long reach drilling, low headroom and maximized tool height for casing.

MANEUVERABILITY

With its compact architecture and a proverbial stability, the EK60 can drill in any site including slopes, uneven terrains and tight spaces. The higher maneuverability allows fast movements compared to a traditional rig.

VERSATILITY

The EK60 can easily be converted in other drilling modes with modular kits. Common set-ups are kelly drilling and CFA, but many others are possible like diaphragm walls, soil mixing, soil displacement hydraulic hammer and customized set-up.

LARGE DIAMETER PILES

Version S - short mast
Version L - long mast



Max pile diameter ¹	mm - in	1200 - 48
Pull down force	kN - lbf	105 - 23.600
Extraction force	kN - lbf	110 - 24.730
Mast stroke	mm - ft	1.600 - 5.25
Rotary stroke on mast	mm - ft	1.400 - 4.6
Total rotary stroke	mm - ft	3.000 - 9.85
Min working height S version ²	mm - ft	5.300 - 17.4
Min working height L version ²	mm - ft	6.650 - 21.8

NOTES: 1. Recommended
2. With a short kelly bar



n° elements x m	Depth	H		
		S version	L version	
6 x 4 (standard S)	m - ft	21 - 69	2.95 - 9.7	4.45 - 14.6
6 x 4.6 (standard L)	m - ft	25 - 82	-	3.85 - 12.6
5 x 4 Heavy Duty	m - ft	18 - 59	2.95 - 9.7	4.45 - 14.6
5 x 4.6 Heavy Duty	m - ft	21 - 69	-	3.85 - 12.6
6 x 5	m - ft	28 - 92	-	3.45 - 11.3

All kelly bars are round interlocking
Friction kelly and custom measures available upon request

CONTINUOUS FLIGHT AUGER

Version L - long mast

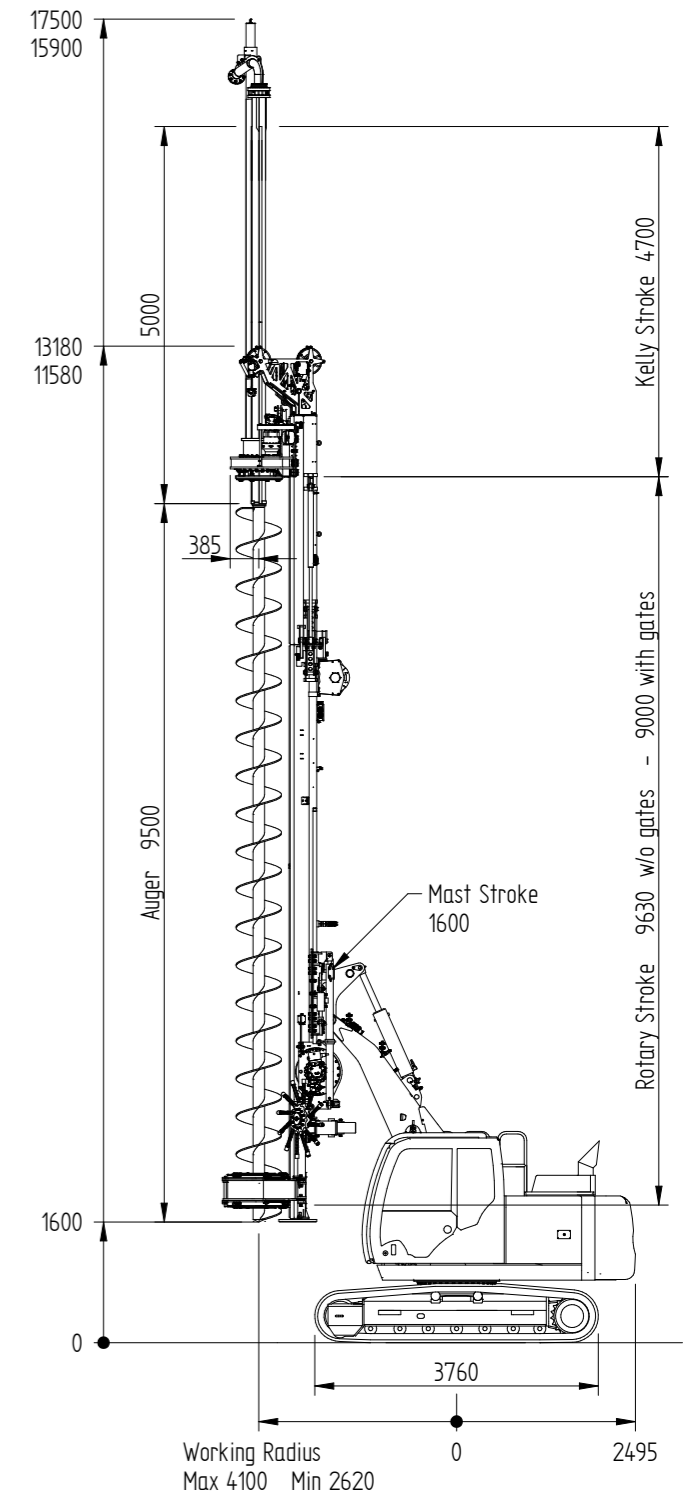


Max pile diameter ¹	mm - in	600 - 24
Pull down force	kN - lbf	120 - 27.000
Extraction force	kN - lbf	215 - 48.340
Mast stroke	mm - ft	1.600 - 5.25

L version		
Max pile depth	m - ft	14.3 - 47
Rotary stroke on mast	mm - ft	9.630 31.6
Total rotary stroke	mm - ft	11.230 36.8
Max auger length	mm - ft	9.500 31.2

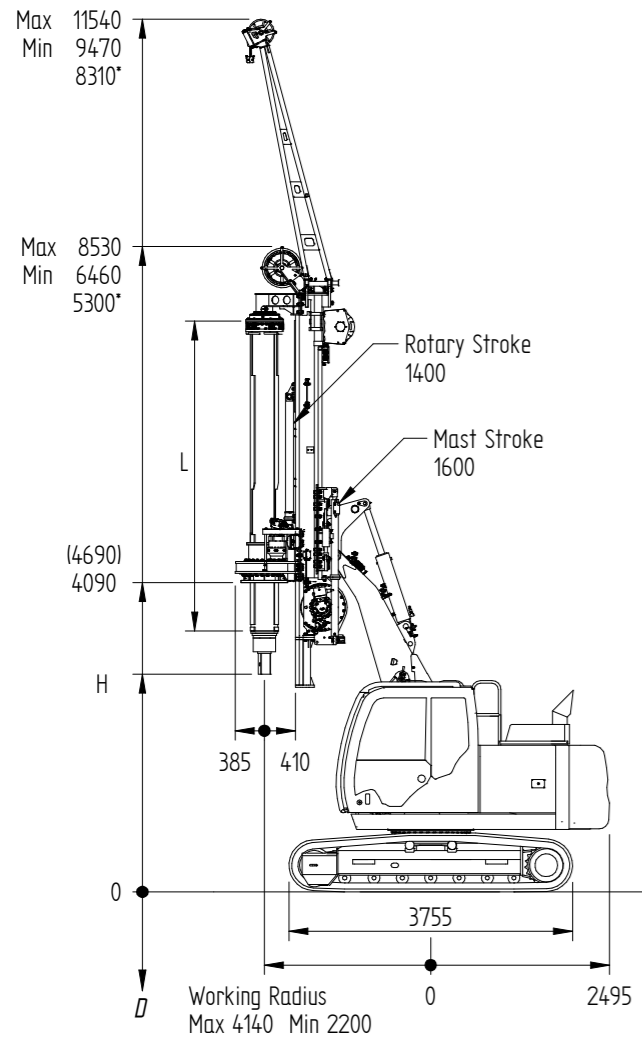
NOTES: 1. Recommended

L version

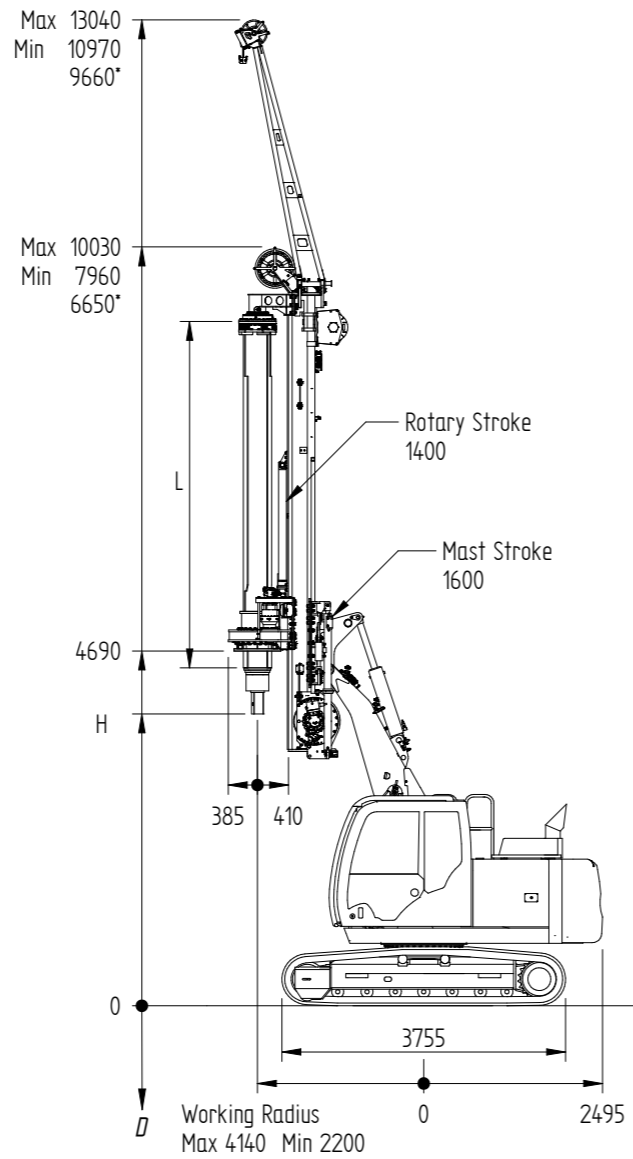


S version

L version



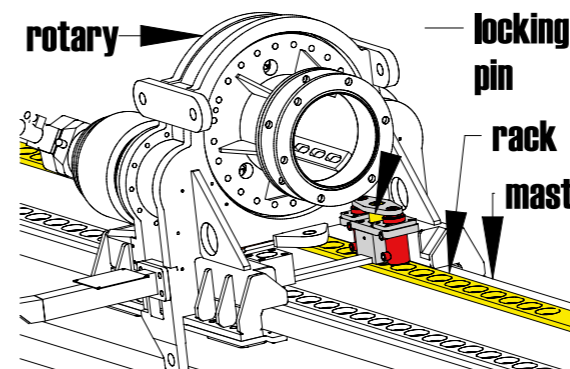
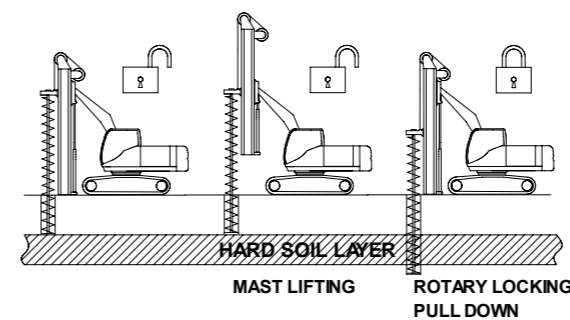
* with a short kelly bar



* with a short kelly bar

BPS Patented Crowd System

BPS is the Geax patented crowd system for CFA piling providing a mechanical locking system between the rotary head and the mast which creates a crowd force on the auger available along the entire length of the mast. The system is activated only when needed by the operator and requires no pulleys or rope



DRILLING KITS

TECHNICAL DATA SHEET

BASE CARRIER

Engine	type	G2 D34 - DL06
Exhaust emission	EU	Stage V - III
	EPA	Tier4f - 3
Engine power	kW (hp)	86 (115) - 71 (95)
Main pumps	l/min	2x114
Hydraulic pressure	bar	330

UNDERCARRIAGE

Tracks width	mm - ft	2.490 - 8.2
Tracks length	mm - ft	3.755 - 12.3
Track shoes	mm - ft	500 - 1.64
Tail radius	mm - ft	2.495 - 8.18

MAST

Forward tilt	deg	>10
Backward tilt	deg	>10
Lateral tilt	deg	± 6.5
Mast vertical stroke	mm - ft	1.600 - 5.25

ROTARY HEAD

Torque (nominal)	kNm - lbf ft	55 - 40.565
Drilling speed	rpm	10 - 55
Spin-off speed	rpm	55

WINCHES

		KELLY	CFA
Main winch line pull (1st layer)	kN - lbf	82 - 18.440	82x3 - 18.440x3
Aux winch line pull (1st layer)	kN - lbf	33 - 7.420	33 - 7.420

CROWD SYSTEM

		KELLY	CFA
Pull down force	kN - lbf	105 - 23.600	120 - 27.000
Extraction force	kN - lbf	110 - 24.730	215 - 48.340

DRILLING

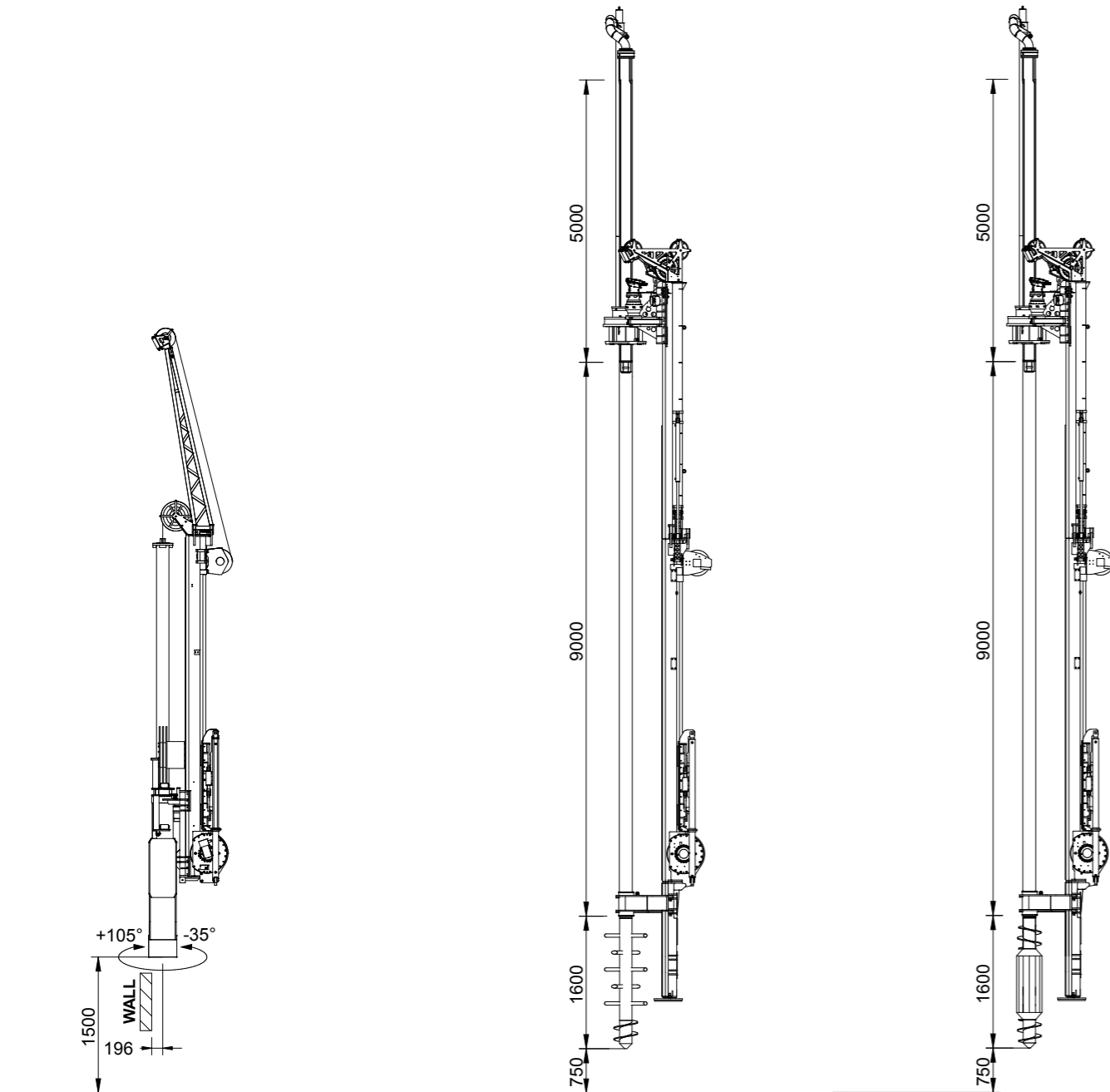
		S version		L version	
		KELLY	CFA	KELLY	CFA
Max pile diameter ¹	mm - in	1.200 - 48	-	1.200 - 48	600 - 24
Std pile depth	m - ft	21 - 69	-	25 - 82	14.3 - 47
Max pile depth	m - ft	21 - 69	-	28 - 92	14.3 - 47
Rotary stroke on mast	mm - ft	1.400 - 4.6	-	1.400 - 4.6	9.630 - 31.6
Total rotary stroke	mm - ft	3.000 - 9.85	-	3.000 - 9.85	11.230 - 36.8
Min working headroom ²	mm - ft	5.300 - 17.4	-	6.650 - 21.8	8.580 - 28.1

TRANSPORT

		S version		L version	
		KELLY	CFA	KELLY	CFA
Length	mm - ft	8.900 - 29.2	-	10.400 - 34.1	10.450 - 34.3
Width	mm - ft	2.490 - 8.2	-	2.490 - 8.2	2.490 - 8.2
Height	mm - ft	2.900 - 9.5	-	2.900 - 9.5	2.900 - 9.5
Weight	kg - lbs	21.000 - 46.300	-	22.000 - 48.500	21.000 - 46.300

- Values are effective except where otherwise specified.
- Technical data are provided as indicative information only, they are subject to change without prior notice

NOTES: 1. Recommended
2. With a short kelly bar



DIAPHRAGM WALL

Max depth 16 m
Trench width 300 - 500 mm
Trench length 2500 mm
Closing force 120 kN

SOIL MIXING

Max depth 14.3 m
Max diameter 600 mm
Rotary speed 55 rpm

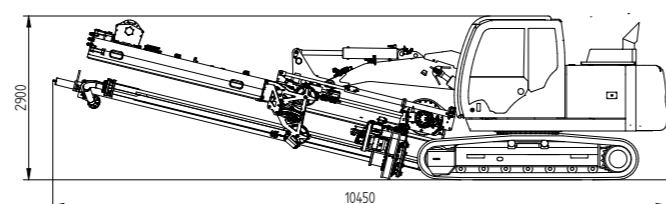
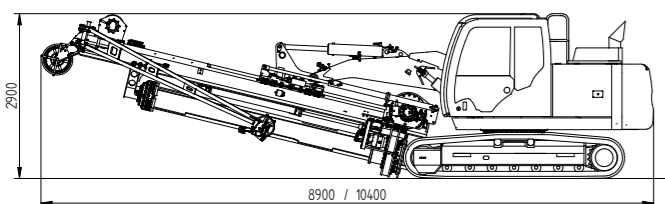
SOIL DISPLACEMENT

Max depth 14.3 m
Max diameter 400 mm
Pull down force 119 kN
Extraction force 220 kN

TRANSPORT

KELLY

CFA





WWW.GEAX.IT
email: info@geax.it
tel: +39 0717131953

GEAX srl
Contrada Passatempo 19
Montefano (MC) ITALY